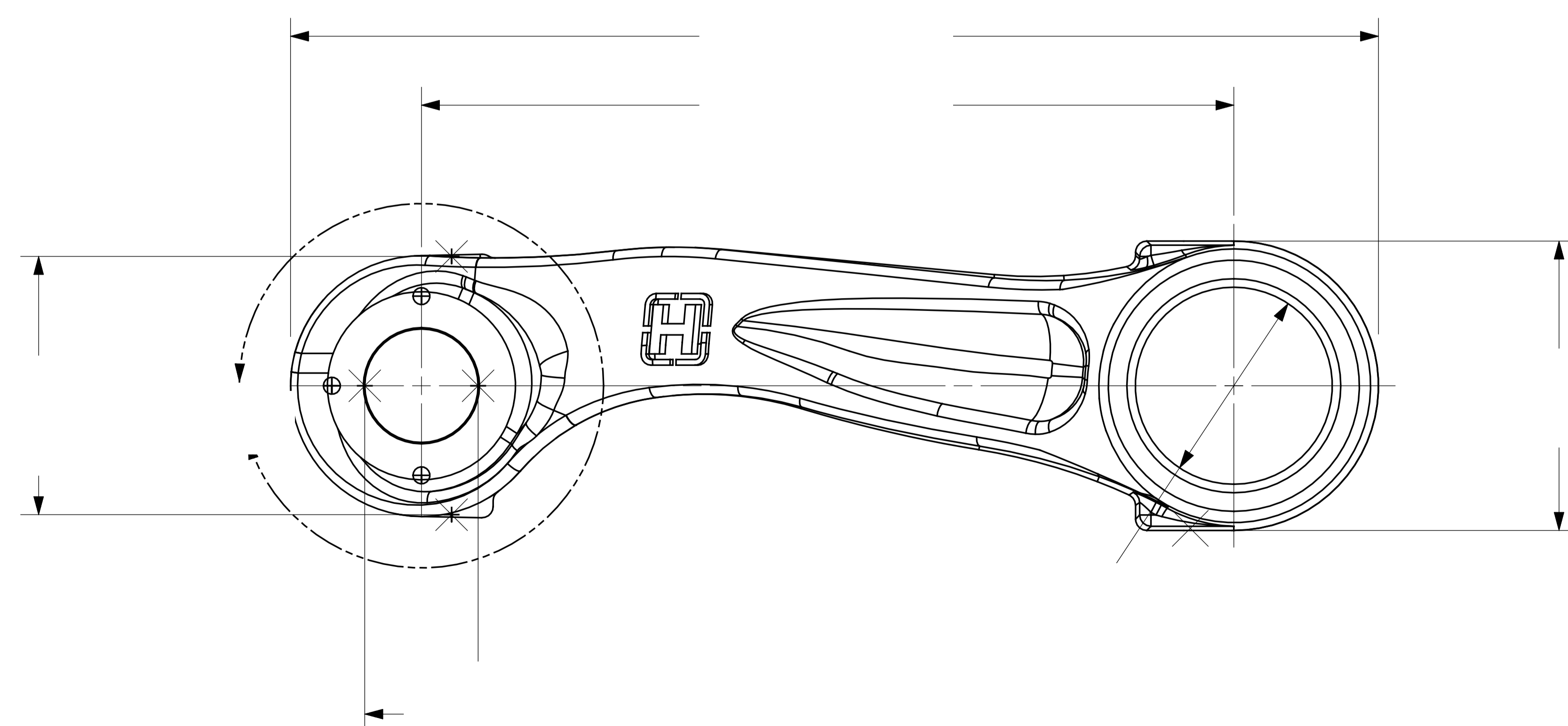
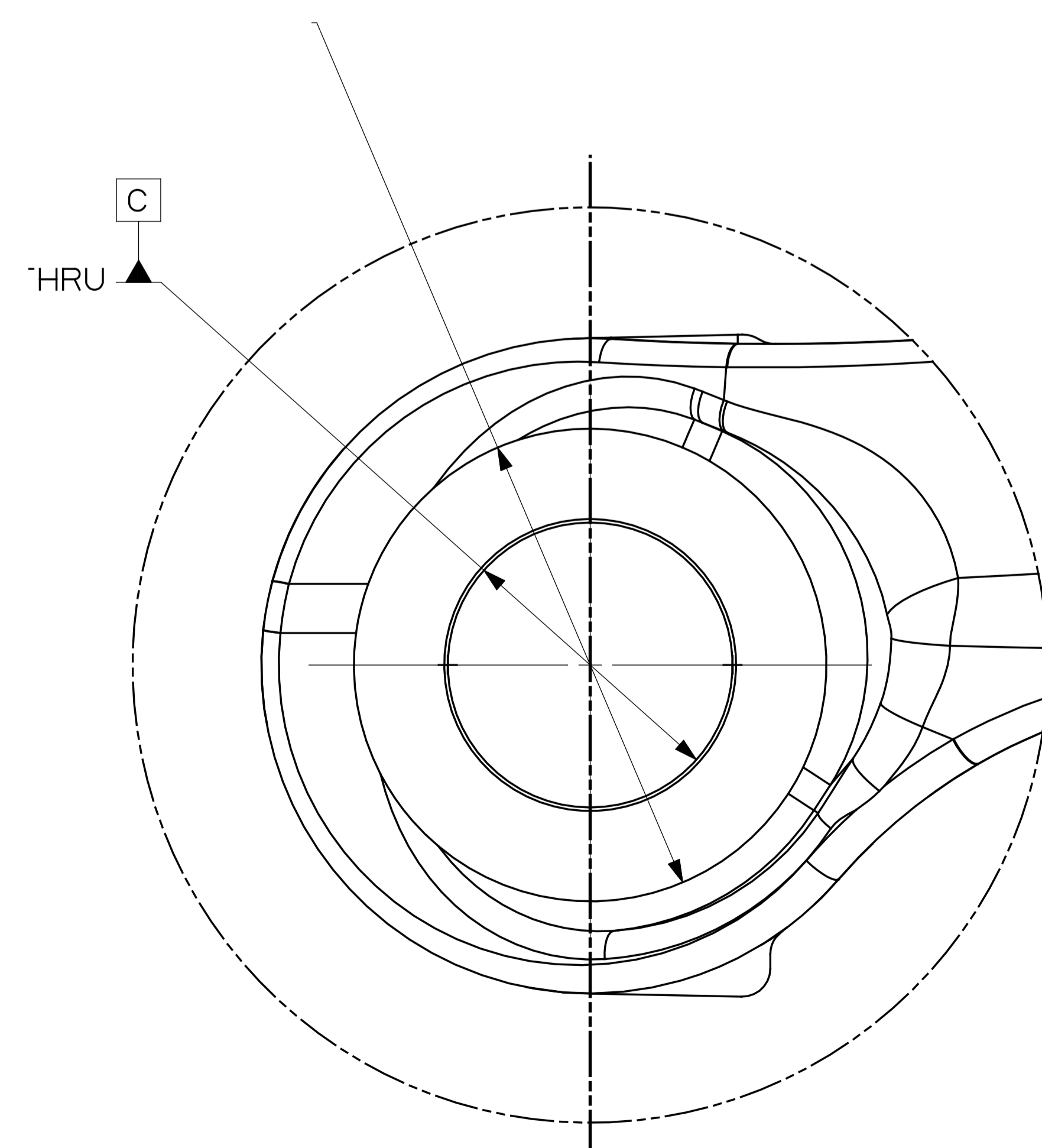
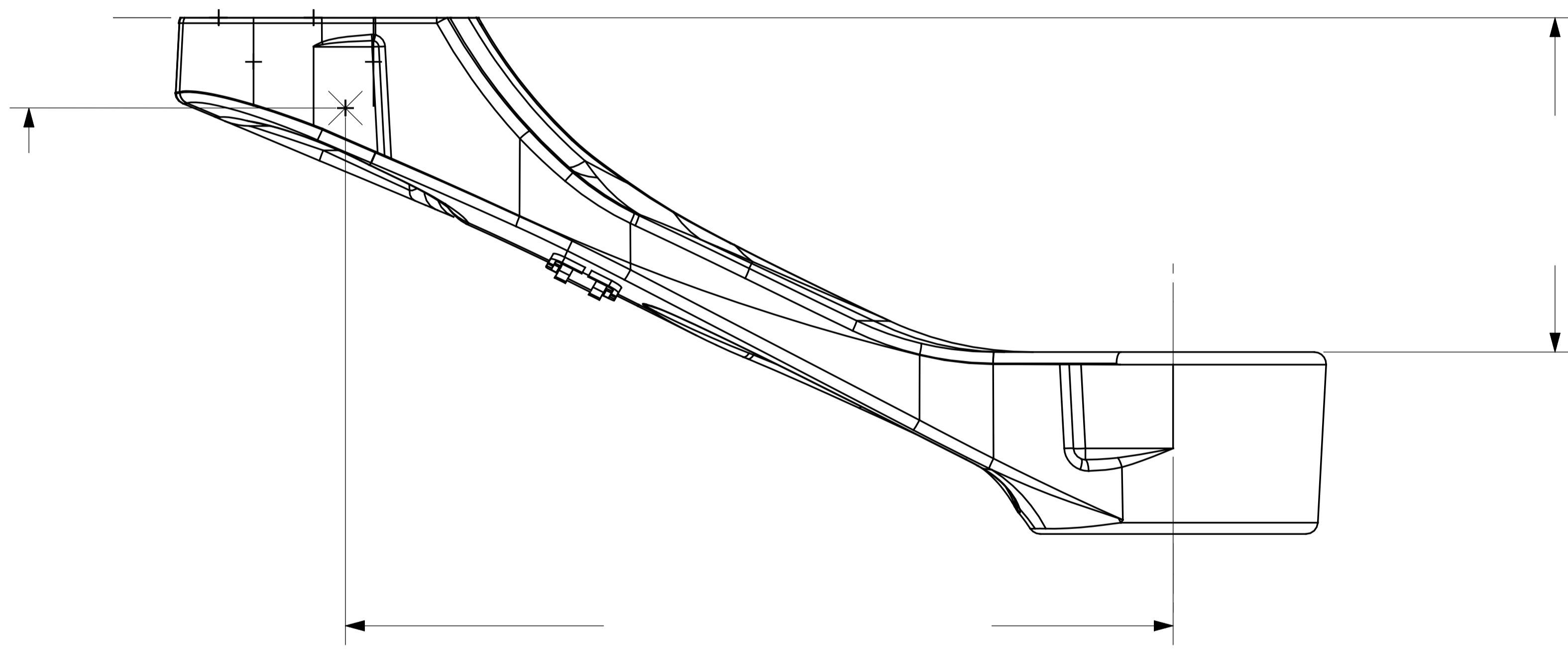
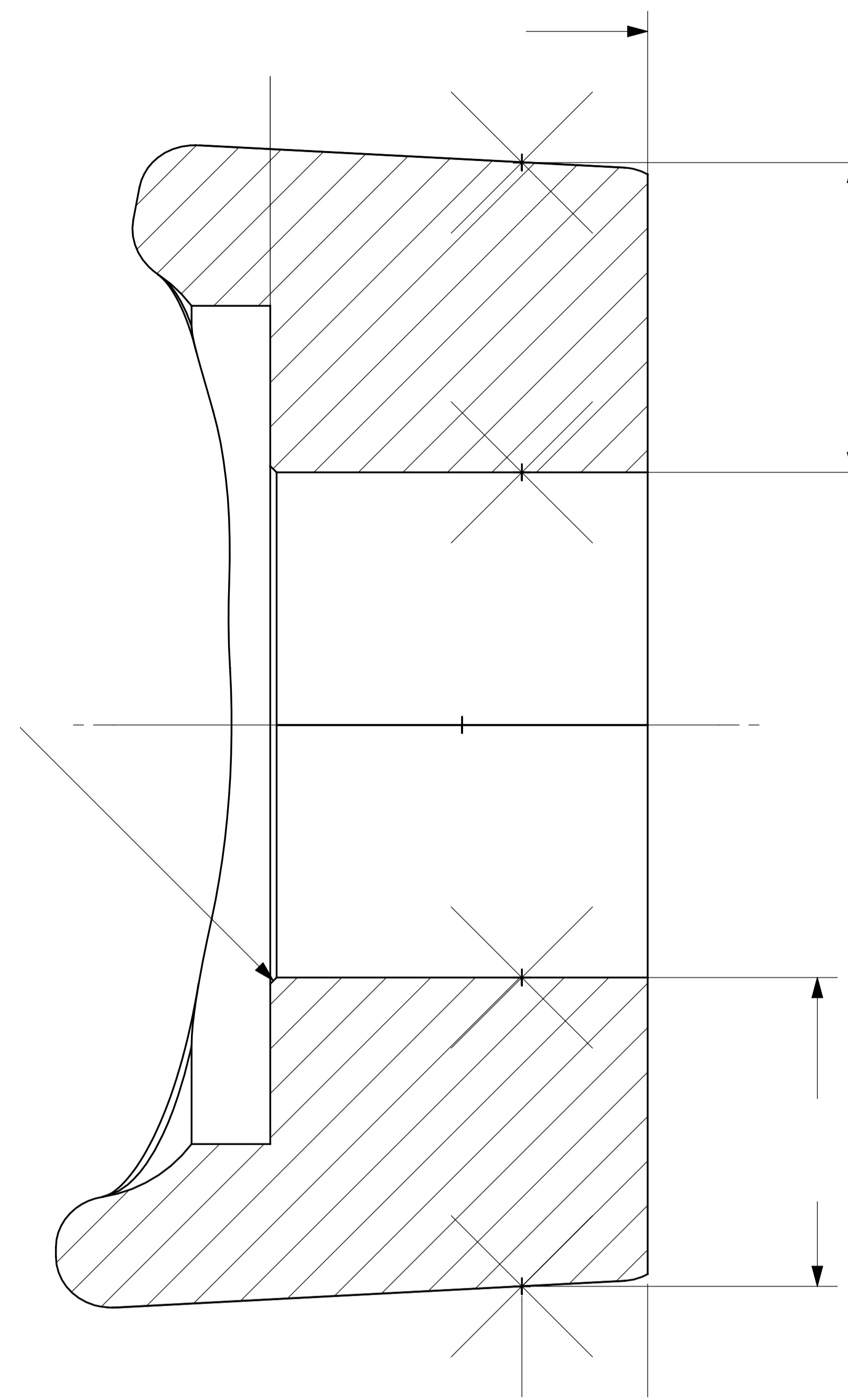
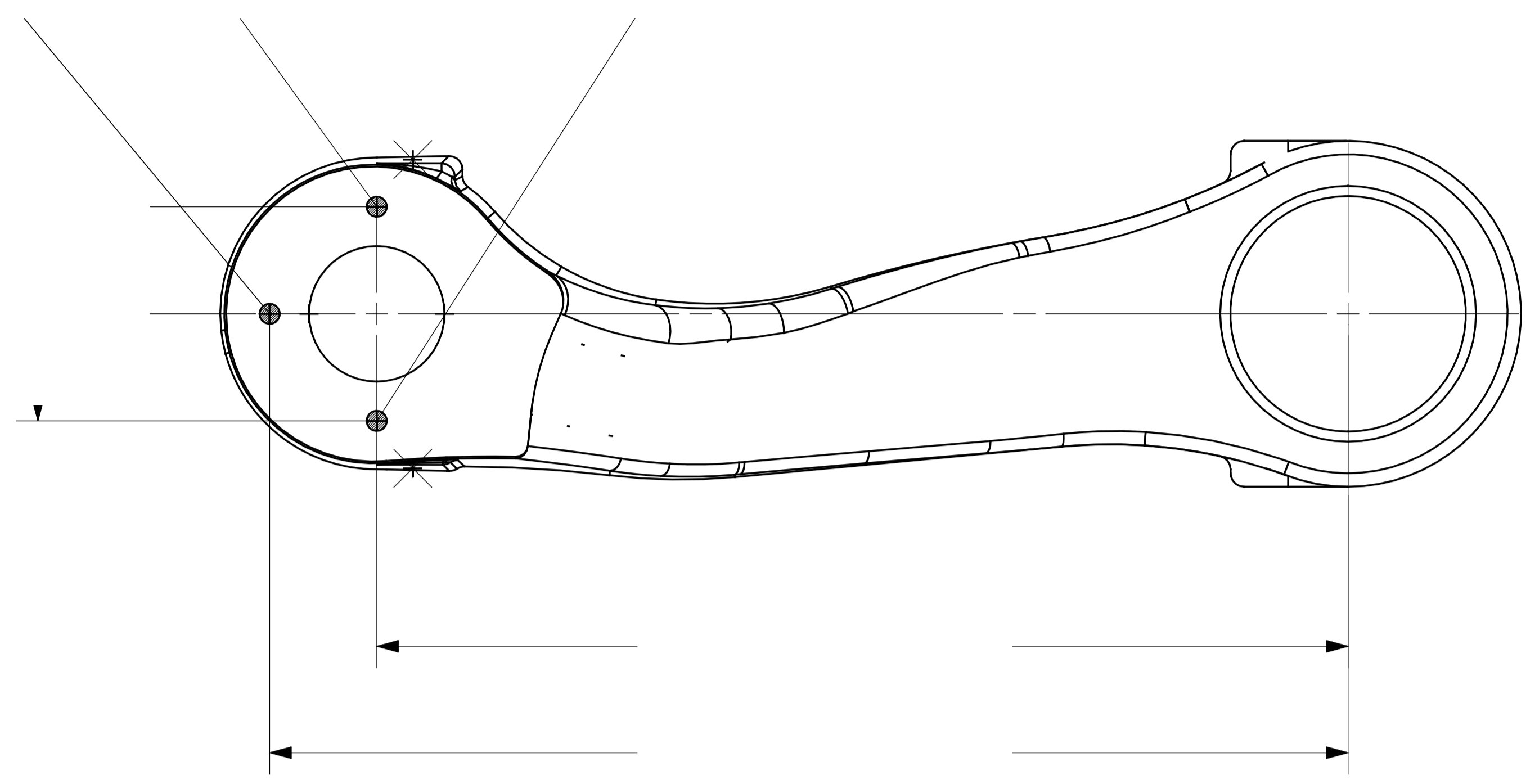


11 10 9 8 7 6 5 4 3

2 1

G
F
E
D
C
B
A

G
F
E
D
C
B
A



CAD FILE UPDATE ON CAD SYSTEM ONLY!
 DATE
 METRIC
 UNLESS OTHERWISE NOTED, DIMENSIONS AND TOLERANCES ARE DEFINED IN MILLIMETERS IN ACCORDANCE WITH ASME STANDARD Y14.5M - 1994
 MAKE FROM CUSTOMER

LH & RH UPPER CONTROL ARM MACHINING

PART/DWG NO.	SHEET NO.
068327-SHT001	
DWG. SIZE	D

SCALE 1:1

11 10 9 8 7 6 5 4 3

2 1